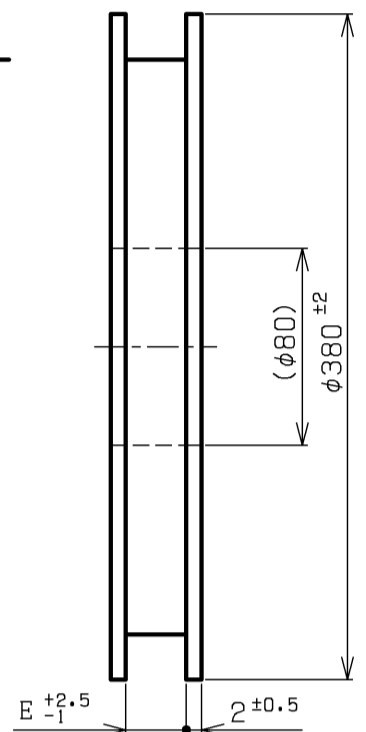
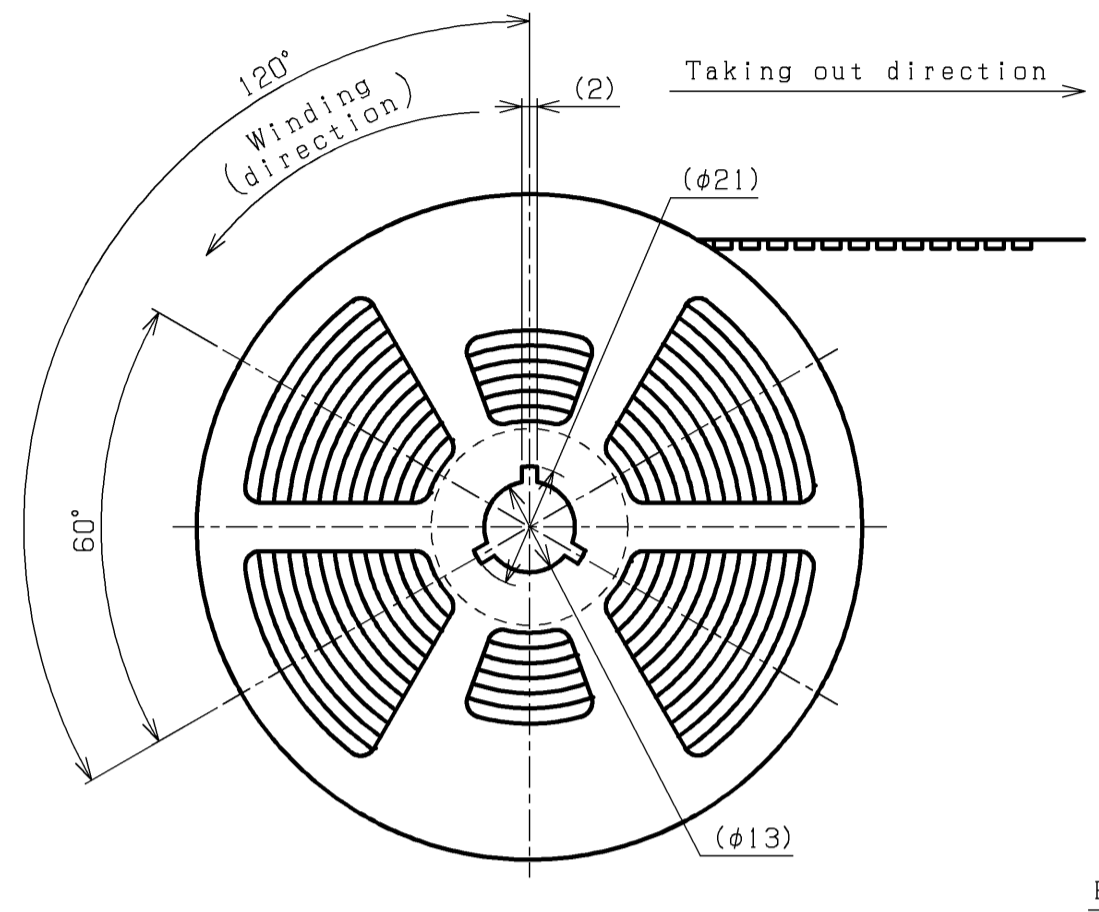


REV.	DESCRIPTION	DATE	DESIGNED
△			

A
B
C
D
E
F
G
H

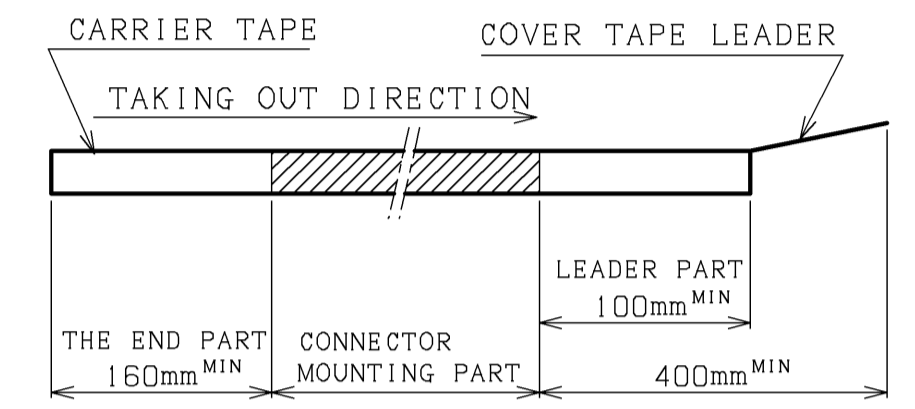


Cir- cuits	Dimensions				
	A	B	C	D	E
2	7.9	2.2	24.0	11.5	25.5
3	9.4	3.7	24.0	11.5	25.5
4	10.9	5.2	24.0	11.5	25.5
5	12.4	6.7	24.0	11.5	25.5
6	13.9	8.2	24.0	11.5	25.5

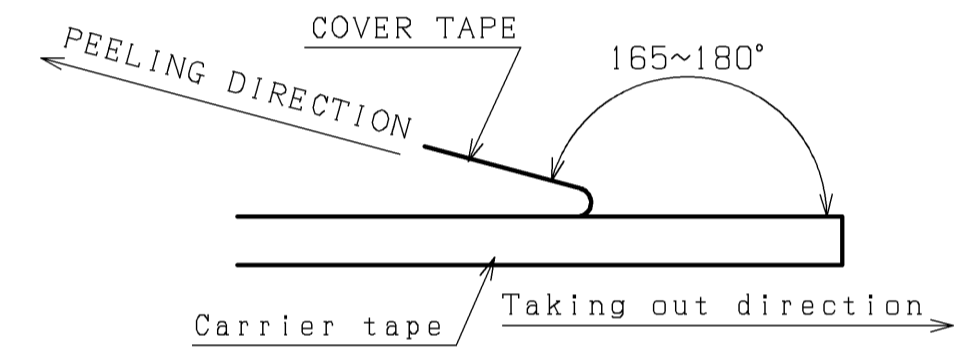
COLOR	Part No.
NATURAL	SM()B-ZESS-TB (LF) (SN)
BLUE	SM()B-ZEES-TB (LF) (SN)

NOTE

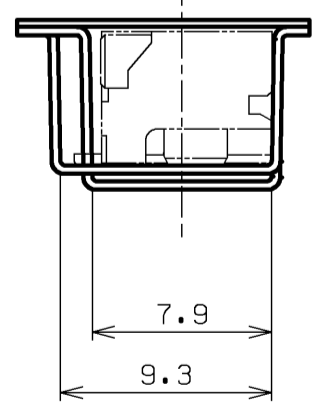
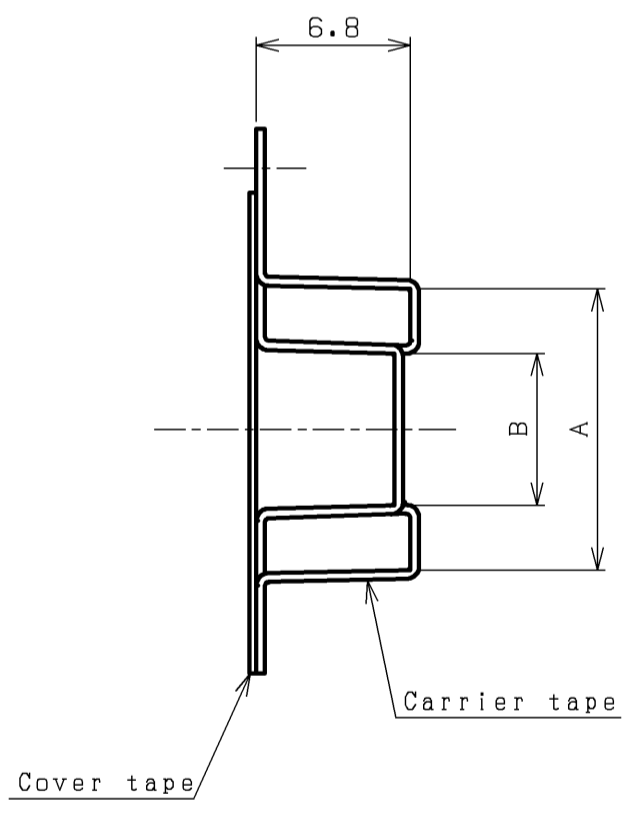
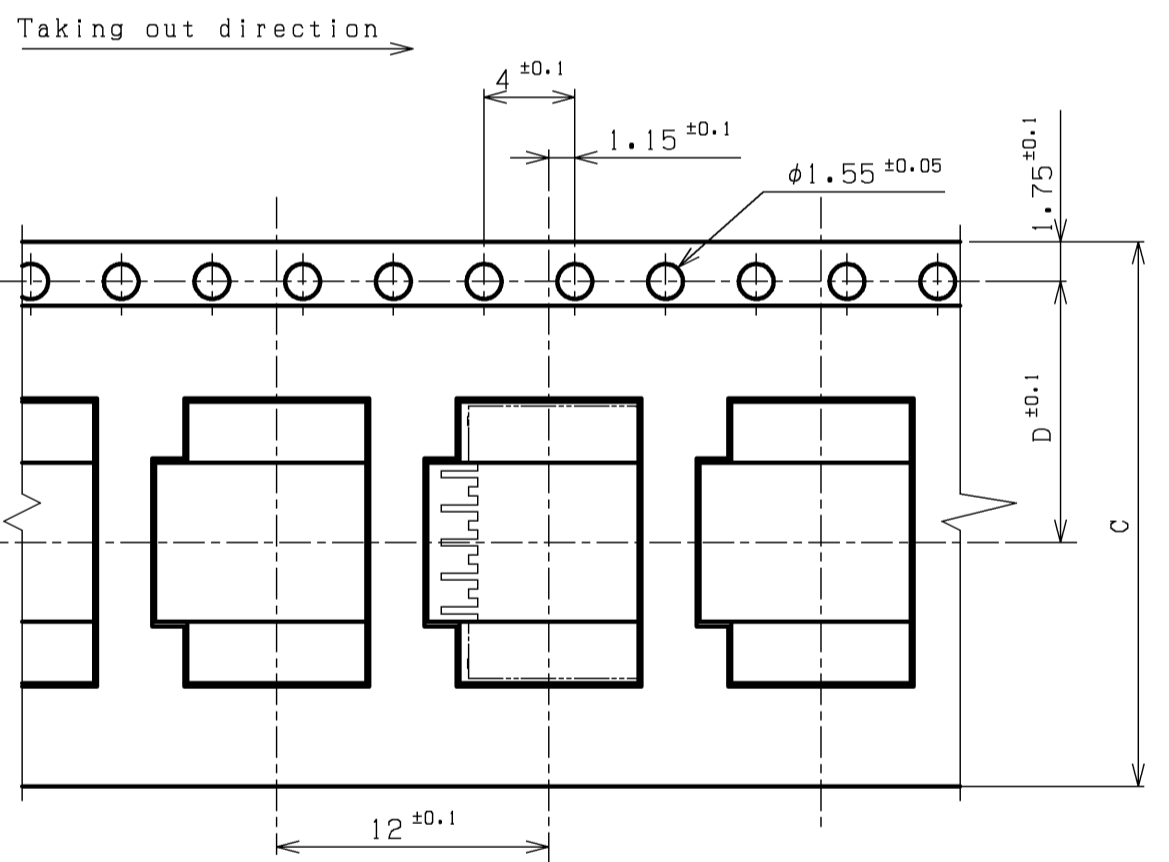
- 1.Connector part:See the DWG. of ZE connector.
- 2.Quantity to be packaged:1000pcs/reel
- 3.Leadng tape length.



- 4.Cover tape peel strength:0.1~1N
(Peel speed:300mm/minute)



- 5.Material:Carrier tape;Polyester (PET)
Cover tape ;Polyester (PET)
Reel ;Flange;Polystyrene (PS)
Core ;Polypropylene (PP)
Polystyrene (PS)
- 6.Unless otherwise specified,
tolerances are ±0.3



No.	PART NAME	MATERIAL	SURFACE FINISH	REMARKS
SIZE	UNIT	SCALE	PROJECTION	DATE
A2	METRIC	3:1	☉	JAN.15.2007
APPROVED	CHECKED	DESIGNED	DRAWN	CUSTOMER
S.K	M.N	T.S		[REDACTED]
SERIES NAME				ZE CONNECTOR
PART No.				SM()B-ZE()S-TB (LF) (SN)
DRAWING No.				KRD-40706
RO				

JST J.S.T.MFG.CO.,LTD.